

VDO4007GW-WP

IP & Wi-Fi Villa Indoor Monitor



- 7" TFT capacitive touch screen, 1024 × 600
- 6-channel alarm input and 1-channel alarm output
- Wi-Fi
- Standard PoE
- Door station and IPC monitor
- H.265 and H.264 video decoding
- High performance & cost-effective



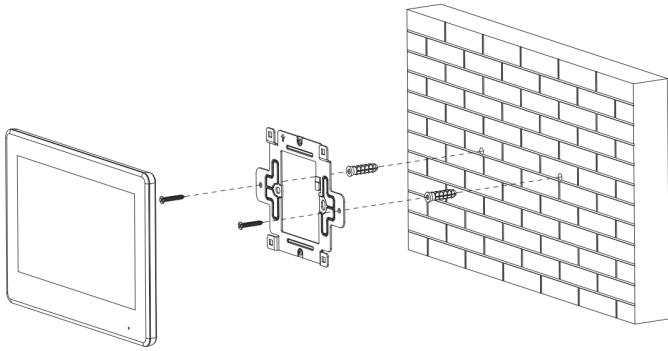
Technical Specification

System	
Main Processor	Embedded processor
Operating System	Embedded Linux operating system
Interoperability	ONVIF; SDK
Network Protocol	RTSP; RTP; SIP; DNS; SSH
ROM	128 MB
RAM	128 MB
CPU	Dual core 1.2 GHz
Basic	
Screen Type	Capacitive Touchscreen
Display	7" TFT
Screen Resolution	1024 × 600
Audio Compression	G.711a; G.711u; PCM
Audio Input	1
Audio Output	Built-in speaker
Audio Mode	2-way Audio
Audio Enhancement	Echo suppression
Audio Bit Rate	116 bit
Function	
Communication Mode	Full digital
Information Release	Receive and view text information released by the management center
DND Mode	Do not disturb period can be set; Do not disturb mode

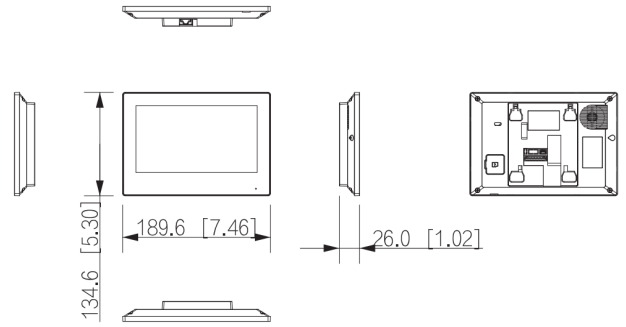
Alarm Input	6
Alarm Output	1
Door Bell	Yes (use any alarm input port)
Network	One 10 /100 Mbps Ethernet
Storage	Micro SD Card, Max 64 GB (reserved for software)

General	
Appearance Color	Black/White
Power Supply	12 VDC 1A; Standard PoE (36–57 V, 0.35 A)
Installation	Surface Mount
Certifications	CE; FCC
Dimensions	189.6 mm × 134.6 mm × 26.0 mm (7.50" × 5.30" × 1.00")
Operating Temperature	–10 °C to +55 °C (+14 °F to 131 °F)
Operating Humidity	10%–95% RH (non-condensing)
Operating Altitude	Beneath 3,000 m (9,842.52 ft)
Power Consumption	Standby ≤ 2W; working ≤ 6W
Net Weight	0.34 kg (0.74 lb)
Gross Weight	0.58 kg (1.27 lb)

Installation



Dimensions (mm[inch])



Design and specifications are subject to change without notice.
Pictures in the document are for reference only, and the actual product shall prevail.