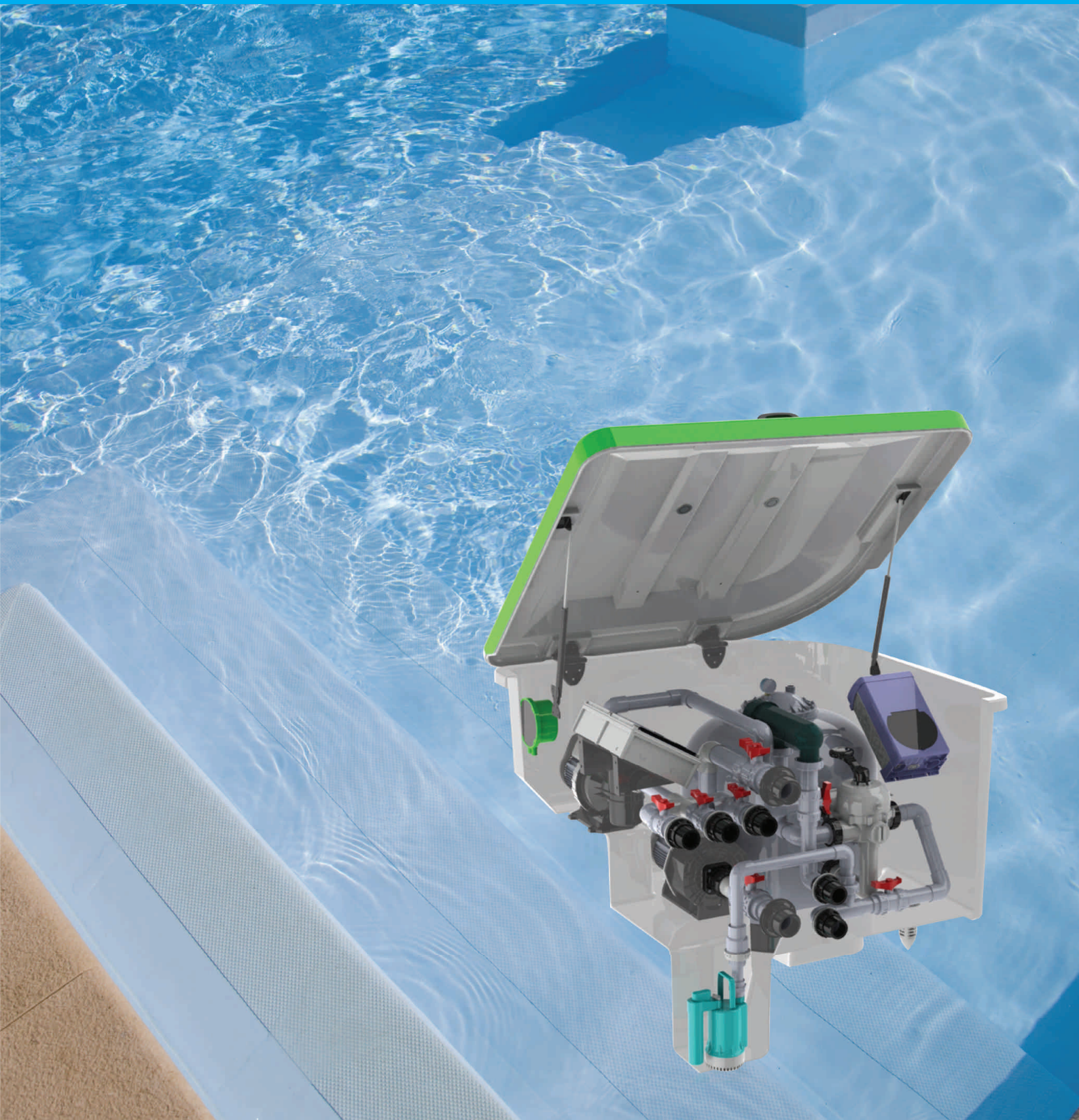


EMD Series In-Ground Filtration System By Emaux



With over 35 years of solid experience and expertise together with our devoted staffs, Emaux has evolved from a Swimming Pool and Spa Equipment manufacturer to a company that is focused in Water Technology. A company that provides solutions to clients in water related issues.

Water for life and leisure

 **Emaux**
water technology

www.emauxgroup.com



"EMD" Series In-ground Filtration Combo

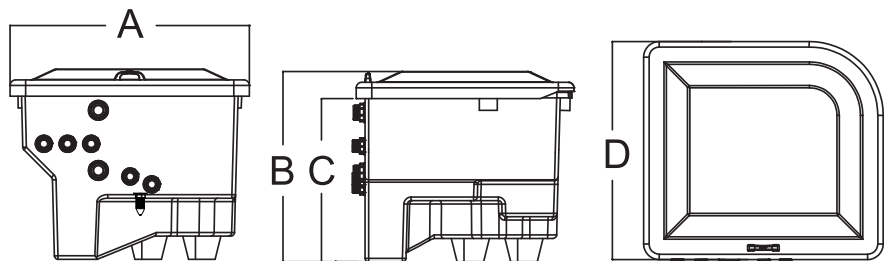
- The enclosure is made from glass fibre enhanced plastic is durable and resistive to corrosion, rust, low temperature and UV.
- Suitable for pools of different shapes and sizes. Selection of system components can be customized to your specific requirements.
- Timer-controlled automation eliminates the need(s) for manual power-on/off and professional staff for maintenance; when backwash is called for you just need to turn the 6-position multiport valve to clean up the sand filter, which makes it more convenient and environmental friendly than other filtration devices using filter pockets.
- The enclosure is water-tight and can drain water automatically.
- Eliminate the need(s) for building equipment rooms and installation, which saves much labour and time. Simple installation can be completed within hours.
- The system consists of a subsystem for filtration, hydraulic massage, sanitizing and lighting.
- Lights will turn on automatically when the cover is open, which makes it suitable for operation at dim condition.
- Equipped with salt water chlorinator, the most effective and widely used means for sanitization.

Technical Information

Model No	A mm	B mm	C mm	D mm
EMD-7	1330	1055	905	1210
EMD-11	1330	1055	905	1210
EMD-14	1330	1055	905	1210
EMD-18	1400	1220	1080	1340
EMD-22	1400	1220	1080	1340
EMD-25	1730	1315	1170	1630
EMD-32	1730	1315	1170	1630

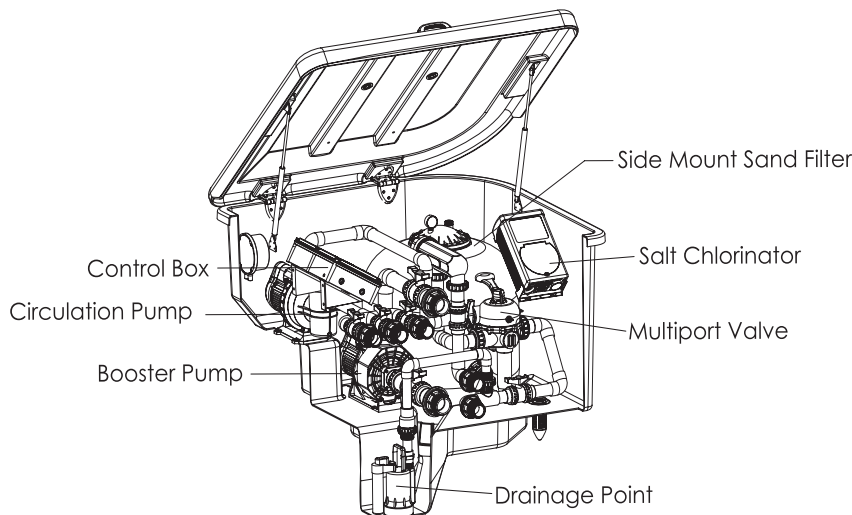
Note: Suggested sand weight varies with differences in filter media size. For reference only.

Product Dimension



Highlight Features:

- Suggested Installation: Domestic swimming pool
- Easy installation with pre-installed plumbing system with durable enclosure
- Simple operation with control box
- UV resistance for the top cover
- Max operating pressure 36psi / 2.5 bar
- Max temperature of 43°C (109 °F)
- Suggested size of media : 0.5-0.8mm





Technical Information

Serial No.	Model No.	Description	Pool Volume	Flowrate
88390101	EMD-7C	S450 Sand Filter, SS033 Pump, CL-01A Chlorine Feeder and PSB016 Submersible Pump	42m ³	7m ³ /h
88390102	EMD-7CP	S450 Sand Filter, SS033 Pump, CL-01A Chlorine Feeder, SR30 Booster Pump and PSB016 Submersible Pump	42m ³	7m ³ /h
88390103	EMD-7S	S450 Sand Filter, SS033 Pump, SSC15-E Salt Chlorinator and PSB016 Submersible Pump	42m ³	7m ³ /h
88390104	EMD-7SP	S450 Sand Filter, SS033 Pump, SSC15-E Salt Chlorinator, SR30 Booster Pump and PSB016 Submersible Pump	42m ³	7m ³ /h
88390105	EMD-7SL	S450 Sand Filter, SS033 Pump, SSC15-E Salt Chlorinator, TRC-300VA Light Transformer and PSB016 Submersible Pump	42m ³	7m ³ /h
88390106	EMD-7SPL	S450 Sand Filter, SS033 Pump, SSC15-E Salt Chlorinator, SR30 Booster Pump, TRC-300VA Light Transformer and PSB016 Submersible Pump	42m ³	7m ³ /h
88390201	EMD-11C	S500 Sand Filter, SS050 Pump, CL-01A Chlorine Feeder and PSB016 Submersible Pump	66m ³	11m ³ /h
88390202	EMD-11CP	S500 Sand Filter, SS050 Pump, CL-01A Chlorine Feeder, SR30 Booster Pump and PSB016 Submersible Pump	66m ³	11m ³ /h
88390203	EMD-11S	S500 Sand Filter, SS050 Pump, SSC15-E Salt Chlorinator and PSB016 Submersible Pump	66m ³	11m ³ /h
88390204	EMD-11SP	S500 Sand Filter, SS050 Pump, SSC15-E Salt Chlorinator, SR30 Booster Pump and PSB016 Submersible Pump	66m ³	11m ³ /h
88390205	EMD-11SL	S500 Sand Filter, SS050 Pump, SSC15-E Salt Chlorinator, TRC-300VA Light Transformer and PSB016 Submersible Pump	66m ³	11m ³ /h
88390206	EMD-11SPL	S500 Sand Filter, SS050 Pump, SSC15-E Salt Chlorinator, SR30 Booster Pump, TRC-300VA Light Transformer and PSB016 Submersible Pump	66m ³	11m ³ /h
88390301	EMD-14C	S650 Sand Filter, SS100 Pump, CL-01A Chlorine Feeder and PSB016 Submersible Pump	84m ³	14m ³ /h
88390302	EMD-14CP	S650 Sand Filter, SS100 Pump, CL-01A Chlorine Feeder, SR30 Booster Pump and PSB016 Submersible Pump	84m ³	14m ³ /h
88390303	EMD-14S	S650 Sand Filter, SS100 Pump, SSC25-E Salt Chlorinator and PSB016 Submersible Pump	84m ³	14m ³ /h
88390304	EMD-14SP	S650 Sand Filter, SS100 Pump, SSC25-E Salt Chlorinator, SR30 Booster Pump and PSB016 Submersible Pump	84m ³	14m ³ /h
88390305	EMD-14SL	S650 Sand Filter, SS100 Pump, SSC25-E Salt Chlorinator, TRC-300VA Light Transformer and PSB016 Submersible Pump	84m ³	14m ³ /h
88390306	EMD-14SPL	S650 Sand Filter, SS100 Pump, SSC25-E Salt Chlorinator, SR30 Booster Pump, TRC-300VA Light Transformer and PSB016 Submersible Pump	84m ³	14m ³ /h
88390401	EMD-18C	S700 Sand Filter, SC150 Pump, CL-01A Chlorine Feeder and PSB016 Submersible Pump	108m ³	18m ³ /h
88390402	EMD-18CP	S700 Sand Filter, SC150 Pump, CL-01A Chlorine Feeder, SR30 Booster Pump and PSB016 Submersible Pump	108m ³	18m ³ /h
88390403	EMD-18S	S700 Sand Filter, SC150 Pump, SSC50-E Salt Chlorinator and PSB016 Submersible Pump	108m ³	18m ³ /h
88390404	EMD-18SP	S700 Sand Filter, SC150 Pump, SSC50-E Salt Chlorinator, SR30 Booster Pump and PSB016 Submersible Pump	108m ³	18m ³ /h
88390405	EMD-18SL	S700 Sand Filter, SC150 Pump, SSC50-E Salt Chlorinator, TRC-300VA Light Transformer and PSB016 Submersible Pump	108m ³	18m ³ /h
88390406	EMD-18SPL	S700 Sand Filter & SC150 Pump, SSC50-E Salt Chlorinator, SR30 Booster Pump, TRC-300VA Light Transformer and PSB016 Submersible Pump	108m ³	18m ³ /h
88390501	EMD-22C	S700(B) Sand Filter, SC150 Pump, CL-01A Chlorine Feeder and PSB016 Submersible Pump	132m ³	22m ³ /h
88390502	EMD-22CP	S700(B) Sand Filter, SC150 Pump, CL-01A Chlorine Feeder, SR30 Booster Pump and PSB016 Submersible Pump	132m ³	22m ³ /h
88390503	EMD-22S	S700(B) Sand Filter, SC150 Pump, SSC50-E Salt Chlorinator and PSB016 Submersible Pump	132m ³	22m ³ /h
88390504	EMD-22SP	S700(B) Sand Filter, SC150 Pump, SSC50-E Salt Chlorinator, SR30 Booster Pump and PSB016 Submersible Pump	132m ³	22m ³ /h
88390505	EMD-22SL	S700(B) Sand Filter, SC150 Pump, SSC50-E Salt Chlorinator, TRC-300VA Light Transformer and PSB016 Submersible Pump	132m ³	22m ³ /h
88390506	EMD-22SPL	S700(B) Sand Filter, SC150 Pump, SSC50-E Salt Chlorinator, SR30 Booster Pump, TRC-300VA Light Transformer and PSB016 Submersible Pump	132m ³	22m ³ /h
88390601	EMD-25C	S800 Sand Filter, SB20 Pump, CL-01A Chlorine Feeder and PSB016 Submersible Pump	150m ³	25m ³ /h
88390602	EMD-25CP	S800 Sand Filter, SB20 Pump, CL-01A Chlorine Feeder, SR30 Booster Pump and PSB016 Submersible Pump	150m ³	25m ³ /h
88390603	EMD-25S	S800 Sand Filter, SB20 Pump, SSC50-E Salt Chlorinator and PSB016 Submersible Pump	150m ³	25m ³ /h
88390604	EMD-25SP	S800 Sand Filter, SB20 Pump, SSC50-E Salt Chlorinator, SR30 Booster Pump and PSB016 Submersible Pump	150m ³	25m ³ /h
88390605	EMD-25SL	S800 Sand Filter, SB20 Pump, SSC50-E Salt Chlorinator, TRC-300VA Light Transformer and PSB016 Submersible Pump	150m ³	25m ³ /h
88390606	EMD-25SPL	S800 Sand Filter, SB20 Pump, SSC50-E Salt Chlorinator, SR30 Booster Pump, TRC-300VA Light Transformer and PSB016 Submersible Pump	150m ³	25m ³ /h
88390701	EMD-32C	S900 Sand Filter, SB30 Pump, CL-01A Chlorine Feeder and PSB016 Submersible Pump	192m ³	32m ³ /h
88390702	EMD-32CP	S900 Sand Filter, SB30 Pump, CL-01A Chlorine Feeder, SR30 Booster Pump and PSB016 Submersible Pump	192m ³	32m ³ /h
88390703	EMD-32S	S900 Sand Filter, SB30 Pump, SSC50-E Salt Chlorinator and PSB016 Submersible Pump	192m ³	32m ³ /h
88390704	EMD-32SP	S900 Sand Filter, SB30 Pump, SSC50-E Salt Chlorinator, SR30 Booster Pump and PSB016 Submersible Pump	192m ³	32m ³ /h
88390705	EMD-32SL	S900 Sand Filter, SB30 Pump, SSC50-E Salt Chlorinator, TRC-300VA Light Transformer and PSB016 Submersible Pump	192m ³	32m ³ /h
88390706	EMD-32SPL	S900 Sand Filter, SB30 Pump, SSC50-E Salt Chlorinator, SR30 Booster Pump, TRC-300VA Light Transformer and PSB016 Submersible Pump	192m ³	32m ³ /h

Note: Suggested sand weight varies with differences in filter media size. For reference only.



EMAUX WATER TECHNOLOGY

Over 35 years of engineering experience in Water Technology, providing expert solution in all water related matters based on our innovative ideas, automated production processes, and professionalism. Emaux is the leading water technology company that incorporates R & D, Production, and Sales under one roof.

Available from:

 **Emaux**
water technology

www.emauxgroup.com

Waterpark & Aquarium / Competition Pool / Residential Pool / Commercial Pool / Water Treatment / Water Feature

All specification are subject to change without notice © Copyright 2013 Emaux Swimming Pool Equipment Co., Ltd

Photos are for reference only, contents are subject to change without prior notice.